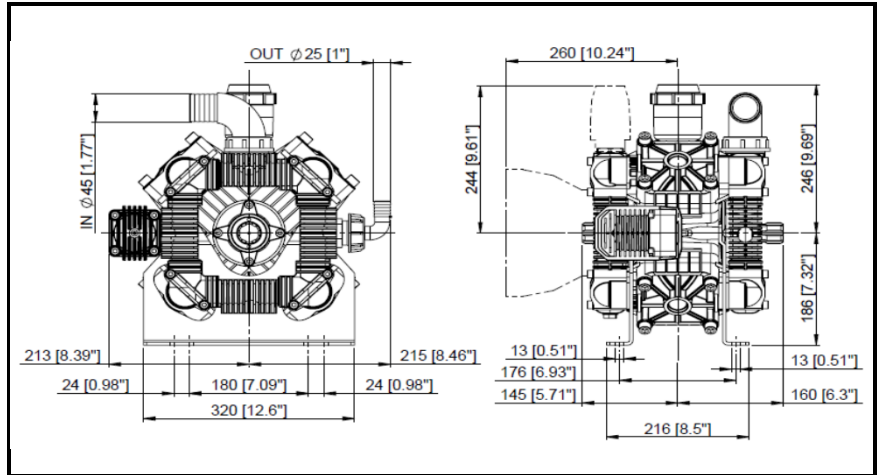
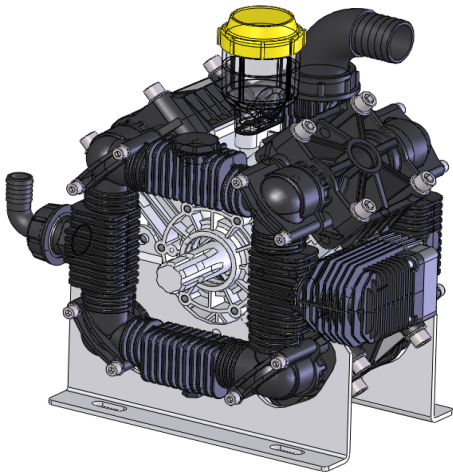
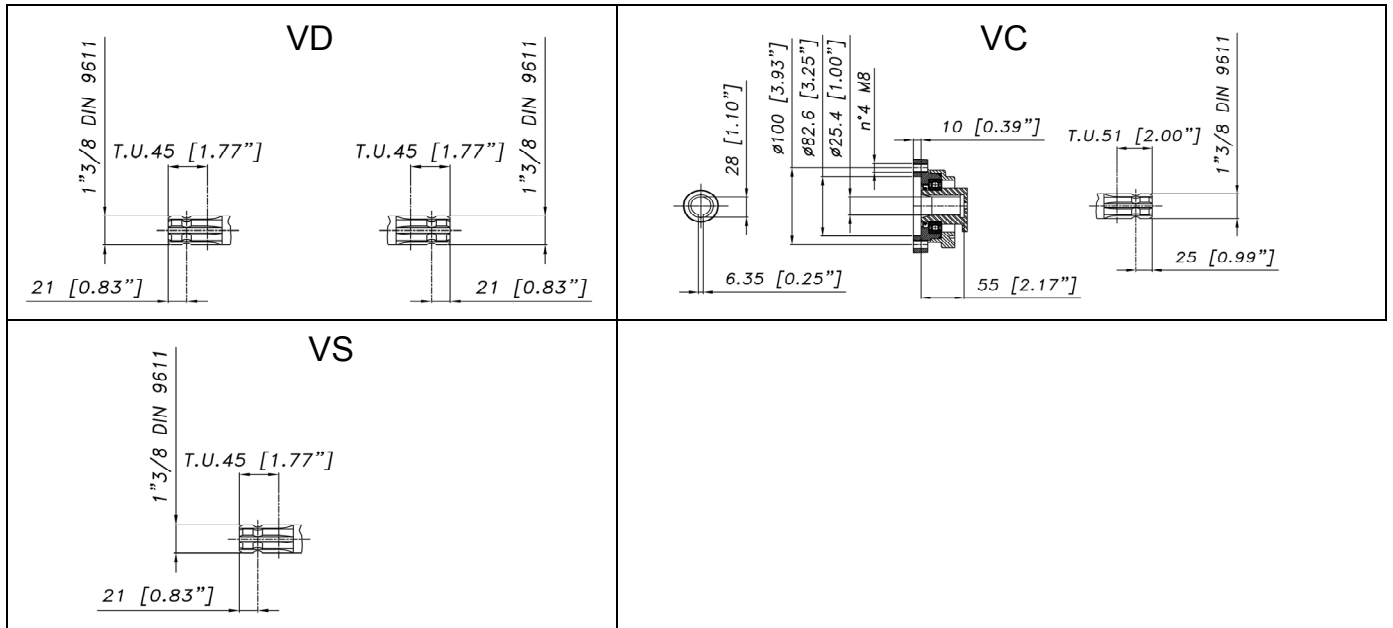


DIMENSIONI D'INGOMBRO - OVERALL DIMENSIONS



ALBERO POMPA - PUMP SHAFT



COPPIA DI SERRAGGIO - TORQUE CHART

CODICE - CODE	Q.TY	POS	N.m	Lbr.ft
62.9811.97.3	4	48	25	18,4
86.2168.00.2	2	6	5	7,3
86.3694.65.2	1	29	40	29,5
85.2562.50.2	2	17	5 (LOXEAL 24-18)	3,7 (LOXEAL 24-18)
86.2562.20.2	4	43	22	16,3
86.2682.50.2	2	46	22	16,3
86.2951.05.2	16	20	10	7,4
86.3276.05.2	6	61	40	29,5
86.4068.50.2	20	65	40	29,5
86.2852.00.2	4	91	10	7,4

Tolleranza di serraggio: 0/-10%  
Tolerance on torque value: 0/-10%

INFORMAZIONI UTILI  
USEFUL INFORMATION

LUBRIFICANTE - LUBRICANT: OLIO MOTORE O SEMIDRAULICO SAE 30 MOTOR OIL OR SEMI-HYDRAULIC OIL SAE 30				
PRESSIONE ACCUMULATORE ACCUMULATOR PRESSURE				
PRESSIONE DI LAVORO - OPERATING PRESSURE	2 + 5	5 + 10	10 + 20	20 + 50
ACCUMULATORE ACCUMULATOR	2	2 + 5	5 + 7	6 + 8

KIT MEMBRANE - DIAPHRAGMS KIT

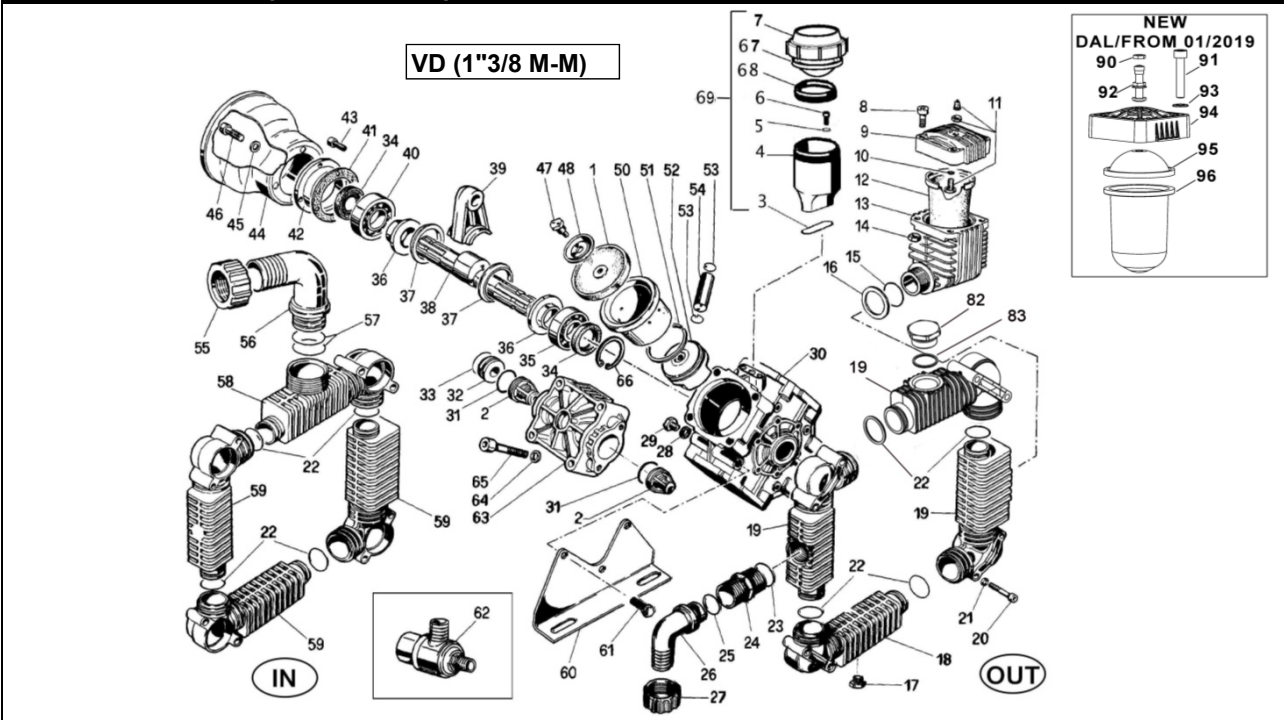
KIT	3DS 28.9887.97.ADS*	PRE-SET DURAMAX			313 28.9887.97.A*	PRE-SET DESMOPAN			VITON							313 28.9887.97.A*	PENTAX			
		1	31	12		1	31	12	1	31	12	33	22	23	15		1	31	12	
POSIZIONE ESPLOSO POSITION NUMBER		1	31	12		1	31	12	1	31	12	33	22	23	15		1	31	12	
QUANTITA' NEL KIT QUANTITIES INCLUDED	28.9887.97.3 28.9887.97.A	4	8	1	28.9887.97.3 28.9887.97.A	4	8	1	28.9887.97.3 28.9887.97.A	4	8	1	4	8	1	1	28.9887.97.3 28.9887.97.A	4	8	1

\*.3: per pompe con calotta accumulatore in alluminio/for pumps with aluminum ballaster cover  
\*.A: per pompe con calotta accumulatore in polipropilene/for pumps with polypropylene ballaster cover

KIT POMPA/KIT VALVOLE - PUMP KIT/VALVES KIT

KIT	28.9883.97.3	KIT POMPA VD PUMP KIT VD					28.9902.97.3	KIT POMPA VC PUMP KIT VC							28.9885.97.3	VALVOLE INOX 303 VALVES KIT 303			28.9906.97.3	VALVOLE INOX 316 VALVES KIT 316		
		22	31	34	41	33		22	31	33	41	34	77	75		2	31	33		2	31	33
POSIZIONE ESPLOSO POSITION NUMBER		8	8	2	1	4	8	8	4	1	1	1	1	8	8	4	2	31	33	2	31	33
QUANTITA' NEL KIT QUANTITIES INCLUDED	28.9883.97.3	8	8	2	1	4	8	8	4	1	1	1	1	8	8	4	8	8	4	8	8	4

# POLY 2200 VD (1"3/8 M-M)



VERSIONI	
VC (1"3/8 - D.1" M-F)	VS (1"3/8 M)

POS.	CODICE PART NO. REF.	DENOMINAZIONE - DESCRIPTION - DESCRIPTION	Q.TY	POS.	CODICE PART NO. REF.	DENOMINAZIONE - DESCRIPTION - DESCRIPTION	Q.TY
1	62.0040.00.ADS	PRE-SET DURAMAX PISTON DIAPHRAGM (STD)	4	41	98.0110.72.2	GASKET	1
1	62.0040.00.A	PRE-SET DESMOPAN PISTON DIAPHRAGM (OPT)	4	42	98.0108.09.2	COVER	1
1	62.0040.33.2	VITON PISTON DIAPHRAGM (OPT)	4	43	86.2562.20.2	SCREW M8x20 UNI5931	1
1	62.0040.36.2	HPS PISTON DIAPHRAGM (OPT)	4	44	31.1482.32.2	PLAIN SAFETY CONE L=180 (OPT)	4
2	28.9905.97.3	S.S. AISI 316 VALVE ASSY (STD)	8	44	31.1468.32.2	PLAIN SAFETY CONE L=135 (OPT)	1
2	28.9809.97.3	S.S. AISI 303 VALVE ASSY (OPT)	8	45	84.3710.00.2	WASHER DIA.8,5x24x2	4
2	63.9800.97.3	POLYPROPYLENE VALVE ASSY (OPT)	8	46	86.2682.50.2	SCREW M8x25 UNI5931	4
3	80.3209.00.2	O-RING 2,62x39,34	1	48	62.9811.97.3	KIT SCREW/DISK INOX	4
4	14.0117.32.2	BOWL OIL FILLER	1	50	62.0019.01.2	PISTON SLEEVE	4
5	84.3585.00.2	WASHER D.6,4X12,5X1,6	2	51	81.8540.00.2	PISTON RING DIA.78	4
6	86.2168.00.2	SCREW M6x22 UNI5931	2	52	62.0018.09.2	PISTON DIA.78	4
7	28.0144.32.2	OIL FILLER CAP	1	53	80.0021.00.2	RING DIA.15	8
8	86.2752.50.2	SCREW M8x35 UNI5931	4	54	85.2006.70.2	PISTON PIN DIA.15	4
9	11.0004.09.2	BALLASTER COVER (BEFORE 01-19)	1	55	82.0120.00.2	WING NUT G.2"	1
10	80.3213.00.2	O-RING 3,0x6 (BEFORE 01-19)	1	56	84.0596.00.2	90° ELBOW CONNECTOR DIA.45-1,77"	1
11	86.1608.50.2	AIR VALVE (BEFORE 01-19)	1	56	84.1642.80.2	STRAIGHT CONNECTOR D.45-1,77" (OPT)	1
12	23.0041.31.2	BALLASTER DIA.(BEFORE 01-19)	1	56	84.1643.00.2	STRAIGHT CONNECTOR D.50-1,96 (OPT)	1
12	23.0041.33.2	VITON BALLASTER DIA. (OPT) (BEFORE 01-19)	1	56	84.0610.00.2	90° ELBOW CONNECTOR DIA.50-1,96 (OPT)	1
12	23.0041.36.2	HPS BALLASTER DIA.(OPT) (BEFORE 01-19)	1	57	80.3209.10.2	O-RING 2,62x40,95	2
13	27.0035.32.2	DAMPER BODY	1	58	28.0072.32.2	MANIFOLD PIPE G.2"	1
14	81.4573.50.2	NUT M8 UNI5588	4	59	28.0070.32.2	INLET-OUTLET MANIFOLD PIPE	3
15	80.3247.50.2	O-RING 3,53x28,17	1	60	28.0021.61.2	MOUNTING RAIL	2
16	27.0037.46.2	SPACER	1	61	86.3276.05.2	SCREW M10x30 UNI5931	6
17	85.2576.00.2	CAP G.3/8	1	62	24.3016.97.3	SAFETY VALVE 15bar (OPT)	1
18	28.0074.32.2	MANIFOLD PIPE WITH HOLE G.3/8	1	63	62.0025.32.2	HEAD	4
19	28.0071.32.2	MANIFOLD PIPE G. 1"	3	64	84.3845.00.2	WASHER DIA.12,2x21x2,5	16
20	86.2951.05.2	SCREW M8x65 UNI5931	16	65	86.4068.50.2	SCREW M12x75 UNI5931	16
21	84.3685.40.2	WASHER DIA.8,2x15x1,5	16	66	80.1369.00.2	RING DIA.52	1
22	80.3250.00.2	O-RING 3,53x31,34	8	67	41.0017.31.2	DIAPHRAGM OIL FILLER	1
23	80.3219.10.2	O-RING 3,0x30	1	68	14.0116.32.2	SPACER	1
24	83.5089.00.2	NIPPLES G.1"-G.1 1/4	1	69	14.9888.97.3	OIL FILLER KIT	1
25	80.3219.00.2	O-RING 3,0x25	1	73	86.2588.10.2	SCREW TCEI M8x20	8
26	84.0542.40.2	90° ELBOW CONNECTOR DIA.25-1"	1	74	31.1724.46.2	COVER	1
26	84.0560.00.2	90° ELBOW CONNECTOR DIA.30-1,18" (OPT)	1	75	80.3210.20.2	O-RING DIA.2,62x60	1
26	84.0565.00.2	90° ELBOW PIPE FITTING DIA.32-1,25" (OPT)	1	76	31.1725.07.2	CENTRAL COVER	1
27	82.0067.50.2	WING NUT G.1 1/4	1	77	80.2191.10.2	OIL SEAL DIA. 45x62x7	1
28	82.4066.00.2	GASKET	1	78	81.2946.00.2	BEARING 50x80x16	1
29	86.3694.65.2	CAP M12	1	79	62.0108.26.2	HOLLOW SHAFT VC VERSION	1
30	28.0003.09.2	CRANKCASE	1	80	62.0010.26.2	SHAFT " VS"	1
31	80.3314.00.2	O-RING 4,5x40	8	81	80.2099.60.2	CAP 52X7	1
32	28.0229.32.2	VALVE ASSY SPACER	4	82	85.2720.00.2	CAP G.1	1
33	80.3209.40.2	O-RING 2,62x44,12	4	83	80.3206.00.2	O-RING 2,62x28,25	1
34	80.2143.10.2	OIL SEAL DIA.35x52x7	2	90	86.1611.00.2	AIR VALVE NUT (FROM 01-19)	1
35	81.2846.00.2	BEARING DIA.35x72x17	1	91	86.2852.00.2	SCREW M8X45 (FROM 01-19)	4
36	28.0027.09.2	SHAFT SPACER (VD-VC)	2	92	86.1609.00.2	AIR VALVE (FROM 01-19)	1
36	28.0027.09.2	SHAFT SPACER (VS)	1	93	84.3685.40.2	WASHER D.8,4x15x1,5 (FROM 01-19)	4
37	98.0047.76.2	CONNECTING ROD RING	2	94	11.0183.32.2	BALLASTER COVER (FROM 01-19)	1
38	62.0024.26.2	CRANKSHAFT "VD"	1	95	10.0041.31.2	SUP. BALLASTER DIAPHRAGM (FROM 01-19)	1
39	28.0033.11.2	CONROD	4	96	23.0094.31.2	INF.BALLASTER DIAPHRAGM (FROM 01-19)	1
40	81.2867.00.2	BEARING DIA.35x80x21	1				