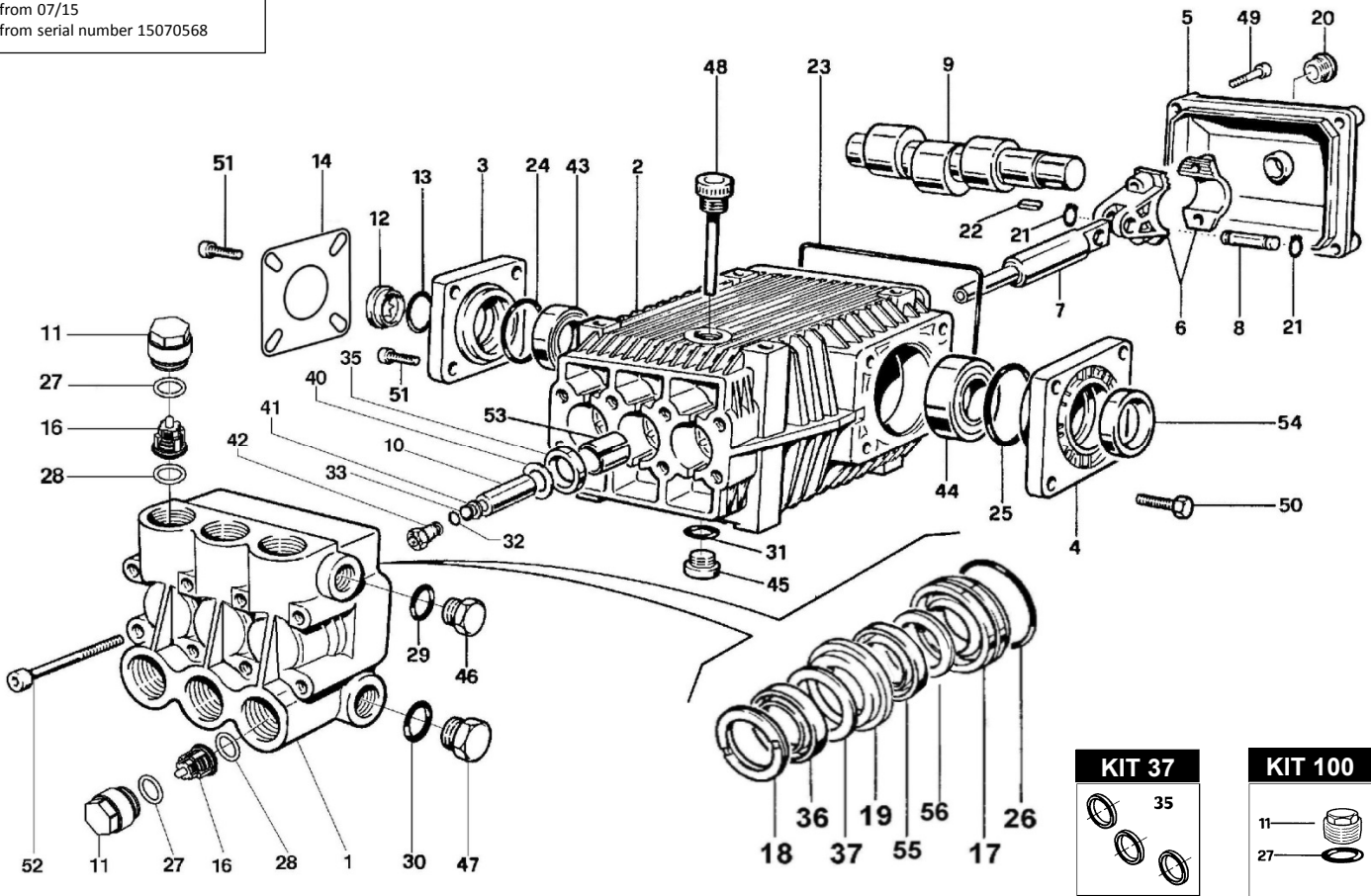
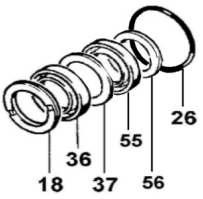


# KKL 3021

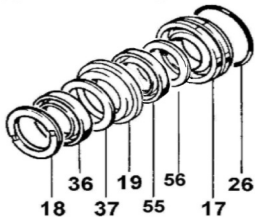
from 07/15  
from serial number 15070568



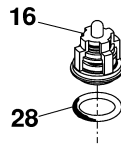
**KIT 313**



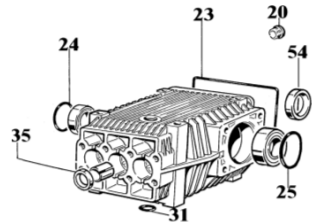
**KIT 314**



**KIT 40**



**KIT 98**



POS.	CODICE PART NO R�F.	DENOMINAZIONE - DESCRIPTION - DESCRIPTION	Q.TY
1	060160282	PUMP HEAD	1
2	060021092	PUMPS CRANKCASE	1
3	060260092	BEARING COVER DIA.72	1
4	060017092	BEARING COVER DIA.80 MM	1
5	060006092	CRANKCASE COVER	1
6	069800972	CONNECTING ROD	3
6	862796002	CONNECTING ROD BOLT	6
7	060071512	PLUNGER ROD	3
8	060007492	PISTON PIN DIA. 15 MM	3
9	060165262	CRANKSHAFT KKL 3021	1
10	060010182	CERAMIC PISTON DIA.22 MM	3
11-kit 100	060095532	VALVE CAP	6
12	060019322	OIL SIGHT GLASS	1
13	803262002	O-RING	1
14	060123612	SHEET FOR OIL SIGHT LOCKING	1
16-kit 40	069801973	VALVES ASSEMBLY	6
17-kit 314	060220532	BACK GLAND DIA.20 MM	3
18-kit 313-314	802088802	THRUST RING DIA.20	3
19-kit 314	060219532	FRONT GLAND	3
20-kit 98	853515502	OIL SIGHT GLASS	1
21	801099002	CIRCLIP DIA.15	6
22	806534002	TAB 8X7X35	1
23-kit 98	803210902	O-RING DIA.2,62X152	1
24-kit 98	803210552	O-RING DIA.2,62X67,95	1
25-kit 98	803210642	O-RING DIA.2,62X75,87	1
26-kit 313-314	803080202	O-RING DIA.1,78X34,65	3
27-kit 100	803204802	O-RING DIA.2,62X17,13	6
28-kit 40	803204802	O-RING DIA.2,62X17,13	6
29	824109002	COPPER GASKET DIA.17X22X1	1
30	824180002	GASKET DIA.27X36X1	1
31-kit 98	803204802	O-RING DIA.2,62X23,81	1
32	803058002	O-RING DIA.1,78X10,82	3

POS.	CODICE PART NO R�F.	DENOMINAZIONE - DESCRIPTION - DESCRIPTION	Q.TY
33	803902002	ANTI-EXTRUSION RING	3
35-kit 37-98	802090002	OIL SEAL DIA. 17	3
36-kit 313-314	802088602	"U" PACKING	3
37-kit 313-314	060087322	ANTIEXTRUSION RING	3
40	060018682	WASHER DIA.14X38X0,5	3
41	843646002	WASHER	3
42	060072002	PISTON BOLT	3
43	812848002	ROLLER BEARING DIA.35X72X17	1
44	812870002	ROLLER BEARING DIA.35X80X21	1
45	852687002	CAP G 3/4	1
46	852629002	PLUG G.1/2"	1
46	852629532	PLUG G.1/2" BRASS (OPTIONAL)	1
47	852712002	PLUG G 1"	1
47	852712532	PLUG G 1" BRASS (OPTIONAL)	1
48	060020322	OIL FILLER PLUG WITH DIP STICK	1
49	862216002	BOLT M6X25	4
50	863265002	BOLT M10X25	4
51	862683002	BOLT M 8X25	4
52	863560002	BOLT TCEI M10X65	8
53	804300002	SELF-LUBRIFICATING BUSHING	3
54-kit 98	802143002	OIL SEAL	1
55-kit 313-314	802302102	"U" PACKING DIA.22X30	3
56-kit 313-314	802302202	SCRAPER RING DIA.22	3
REPAIR KIT	ITEM NO,s INCLUDED		PCS.
kit 37	069814973	SPARE PARTS KIT	3
kit 314	069967973	SPARE PARTS KIT	24
kit 313	069966973	SPARE PARTS KIT	18
kit 98	069842973	SPARE PARTS KIT	9
kit 100	069844973	SPARE PARTS KIT	12
kit 40	069817973	SPARE PARTS KIT	12
HOT WATER CONVERSION KIT (85°C-185°F)			
kit 201	069885973	H.W. PACKING SEALING KIT	24
kit 250	069957973	H.W. VALVE KIT	18