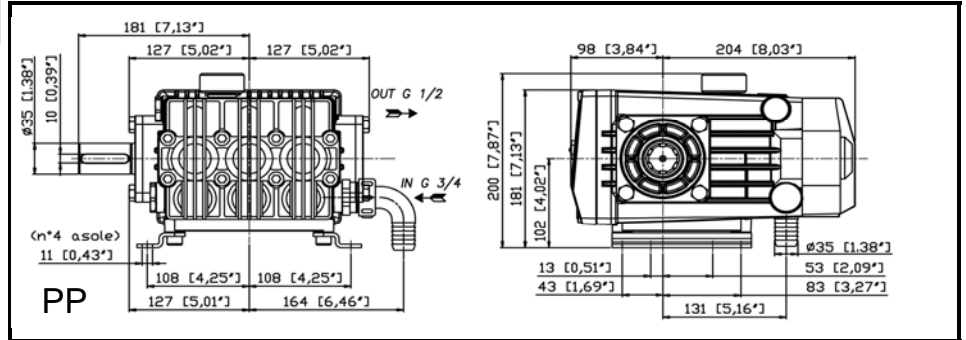
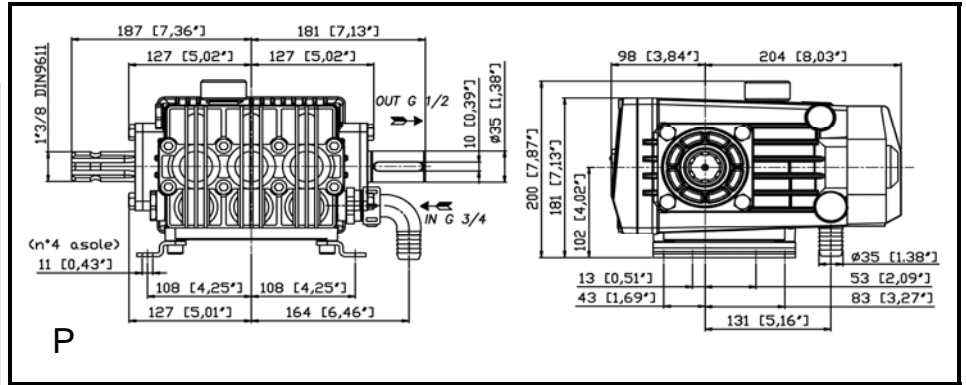
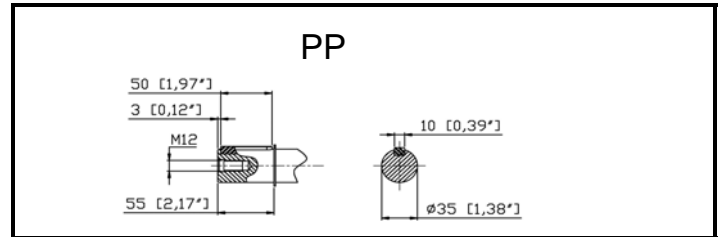
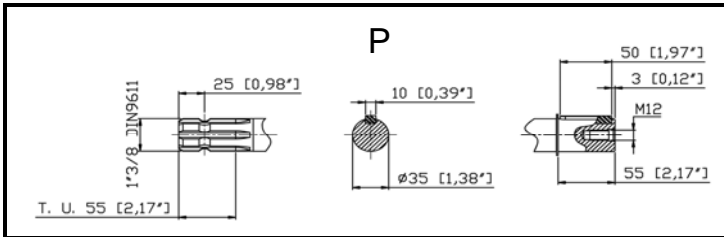


DIMENSIONI D'INGOMBRO - OVERALL DIMENSIONS



ALBERO POMPA - PUMP SHAFT



COPPIA DI SERRAGGIO - TORQUE CHART

CODICE - CODE	Q.TY	POS	N-m	Lbr.ft
86.2216.00.2	9	13	10	7,4
86.2730.00.2	6	54	22 (LOXEAL 54-03)	16,2 (LOXEAL 54-03)
86.3521.00.2	8	36	40	29,6
53.0015.53.2	3	34	35 (LOXEAL 54-03)	25,9 (LOXEAL 54-03)
86.3325.00.2	3	32	28 (LOXEAL 83-54)	20,7 (LOXEAL 83-54)
86.3212.00.2	4	44	40	29,6
86.3212.00.2	8	52	40	29,6

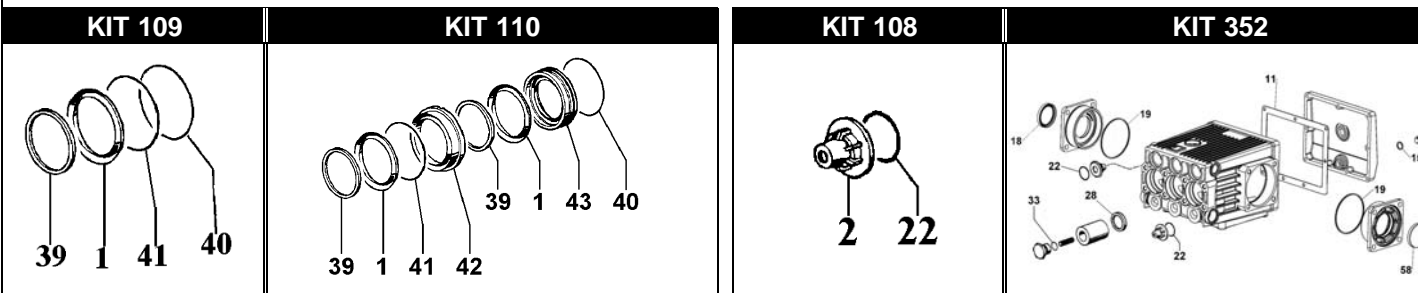
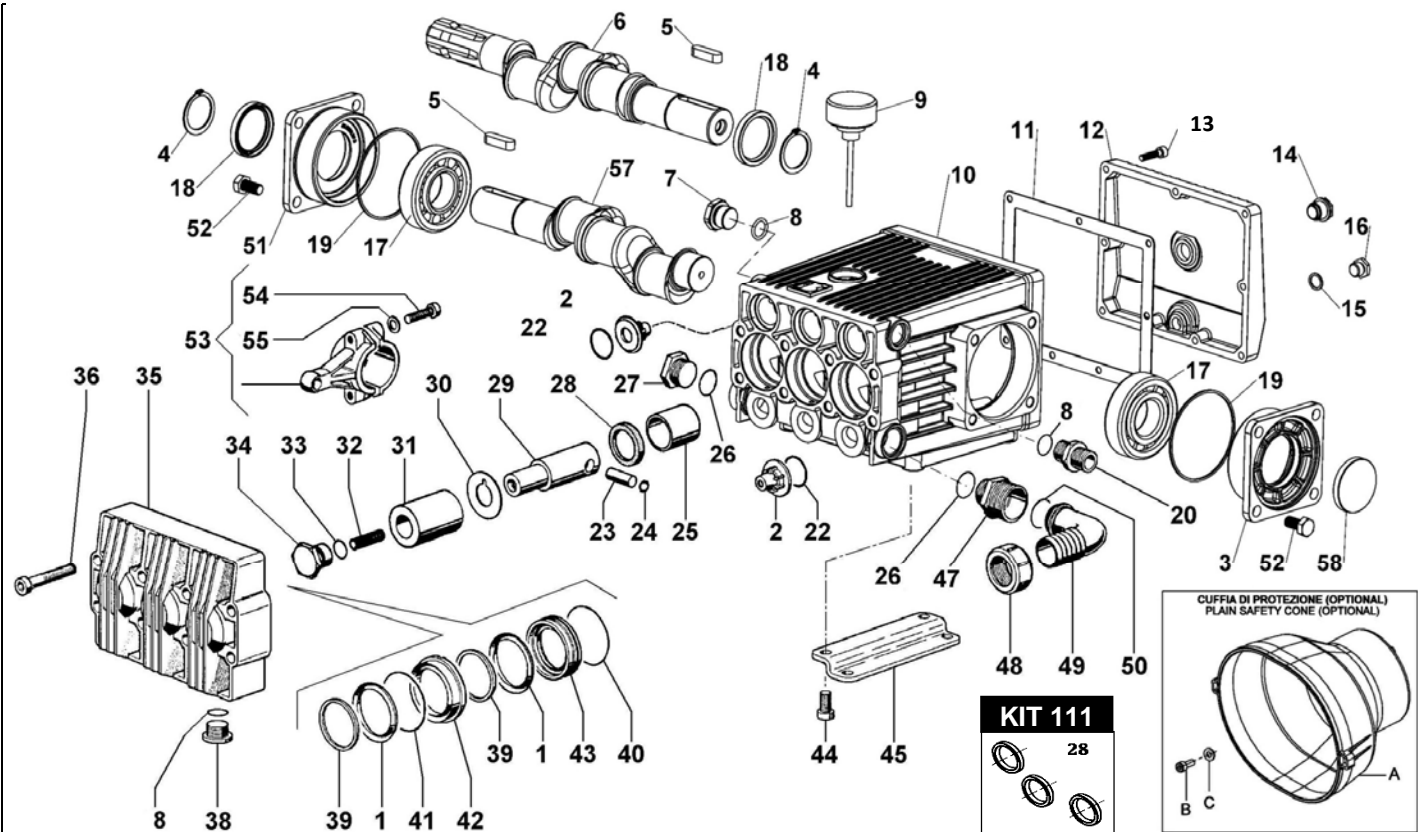
Tolleranza di serraggio: 0/-10%  
Tolerance on torque value: 0/-10%

INFORMAZIONI UTILI  
USEFUL INFORMATION

LUBRIFICANTE- LUBRICANT:

OLIO MOTORE O SEMIDRAULICO SAE 30  
MOTOR OIL OR SEMI-HYDRAULIC OIL SAE 30

# C53.3 P - PP



POS.	CODICE PART NO. RÉF.	DENOMINAZIONE - DESCRIPTION - DESCRIPTION	Q.TY	POS.	CODICE PART NO. RÉF.	DENOMINAZIONE - DESCRIPTION - DESCRIPTION	Q.TY
1-kit 109-110	802170002	V' PACKING DIA.38X48	6	35	530002092	HEAD	1
2-kit 108	539801973	VALVES ASSY	6	36	863521002	BOLT STEI M10X35	8
3	530217092	BEARING COVER	2	38	852625002	CAP M20X1.5	3
4	801264002	CIRCLIP DIA.35	1	39-kit 109-110	530014322	THRUST RING	6
5	806580002	FEATHER KEY 10X8X35	1	40-kit 109-110	803209602	O-RING 3187 DIA.2,62X47,30	3
6	530223262	CRANKSHAFT (vr. "P")	1	41-kit 109-110	803265002	O-RING DIA.3,53X46,01	3
7	852629532	PLUG G 1/2	1	42-kit 110	530009532	FRONT GLAND	3
8	803187000	O-RING	5	43-kit 110	530008532	REAR GLAND	3
9	853518002	OIL FILLER PLUG	1	44	863212002	BOLT M10X20	4
10	530220092	PUMP CRANKCASE	1	45	530010612	MOUNTING RAIL	2
11-kit 352	530012722	BACK COVER GASKET	1	47	835062102	NIPPLE	1
12	530033092	CRANKCASE COVER	1	48	820049002	WING NUT M34	1
13	862216002	BOLT M6X25	9	49	840542002	90° ELBOW TAIL DIA,25-1"	1
14	853505002	OIL SIGHT GLASS	1	50	803200002	O-RING DIA.2,62X22,22	1
15-kit 352	824081002	GASKET 13,2X19X1,5	1	51	530024092	BEARING COVER	1
16	852542502	PLUG G 1/4	1	52	863212002	BOLT M10X20	8
17	812867002	BEARING	2	53	539800972	CONNECTING ROD	3
18-kit 352	802143102	OIL SEAL	2÷1	54	862730002	BOLT M8X30	6
19-kit 352	803210762	O-RING 4325 DIA.3,53X82,14	2	55	843652002	WASHER DIA.8,41X13X1,2	6
20	835051102	NIPPLE	1	57	530224262	CRANKSHAFT (vr. "PP")	1
22-kit 108-352	803320002	O-RING DIA.5X26	6	58-kit 352	802099602	CAP (vr. "PP")	1
23	852006242	PISTON PIN 12X27	3	<b>PLAIN SAFETY CONE (OPTIONAL)</b>			
24	801080002	CIRCLIP D.12 UNI 7437	6	A	31.1468.32.2	PLAIN SAFETY CONE L=135	1
25	804460002	BUSHING 3540	3	B	863212002	BOLT M10X20	4
26	803205002	O-RING DIA.2,62X25,07	2	C	/	PLAIN SAFETY CONE INCLUDED	4
27	852680002	CAP G 3/4	1	<b>REPAIR KIT</b>			
28-kit 111-352	802133002	OIL SEAL 35X45X7	3	<b>NO.s INCLUDED</b>			
29	530021092	PLUNGER ROD DIA. 35 MM	3	kit 108	539812973	SPARE PARTS KIT	17
30	530017682	WASHER	3	kit 108	539812973	SPARE PARTS KIT	12
31	530018182	CERAMIC PISTON DIA.38 MM	3	kit 109	539810973	SPARE PARTS KIT	18
32	863325002	BOLT STEI M10X35	3	kit 110	539816973	SPARE PARTS KIT	24
33-kit 352	803182502	O-RING DIA.2,62X17,13	3	kit 111	539817973	SPARE PARTS KIT	3
34	530015532	PLUG	3	kit 352	539837973	SPARE PARTS KIT	19

